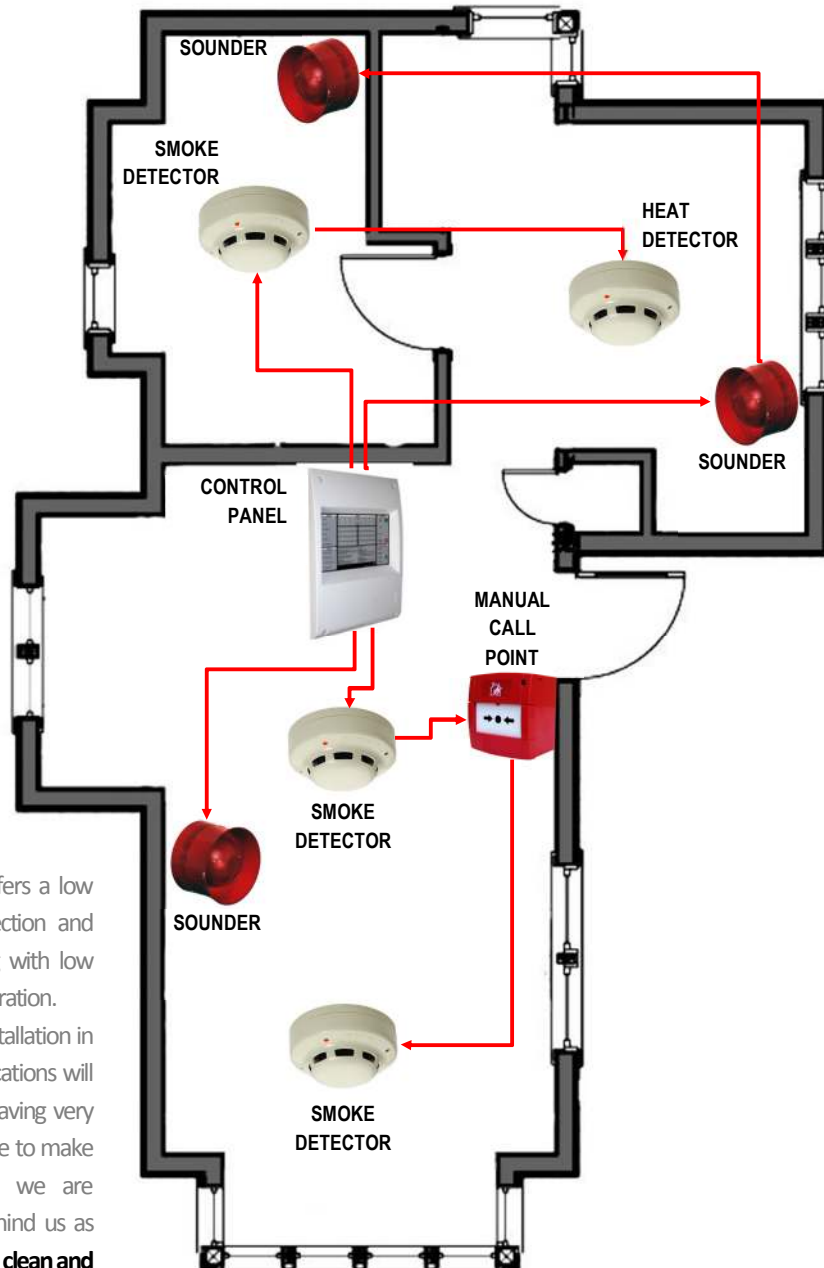


## Fire Alarm Systems – Conventional Hard Wired

Conventional fire alarm systems offer a simple solution to provide detection and alarm within smaller buildings. A series of 'Zone' circuits connect detectors and call points to the control panel and a minimum of two 'Sounder' circuits provide a means to raise the alarm in the event of emergency.

ITS fire alarm systems are built from a range of carefully selected products to provide a building wide detection and alarm system. The hardwired range includes many different products to cover all types of environment and to ensure long term reliability and complete compliance with BS5839 Part 1: 2013.



Installing a conventional system offers a low cost way of providing a fire detection and alarm system in a smaller building with low cost equipment and very simple operation.

Our experience with this type of installation in both industrial & commercial applications will ensure a trouble free installation leaving very little disruption to business. We have to make a certain amount of mess but we are completely used to clearing up behind us as we work to **leave your premises in a clean and tidy state.**

